

Rothemuhle Air Heater Collar Seal Shoe Hang-up

Purpose

This bulletin advises owners and operators of a potential for collar seal shoe hang-up as a result of air heater water washing. Collar seal shoe hang-up will lead to increased air heater leakage and fan power consumption.

Problem

When the air heater is water washed, the lower collar seals may fill with fly-ash sludge that drains off the center of the hood. This sludge will then solidify causing the collar seal shoes to hang up.

Recommendations

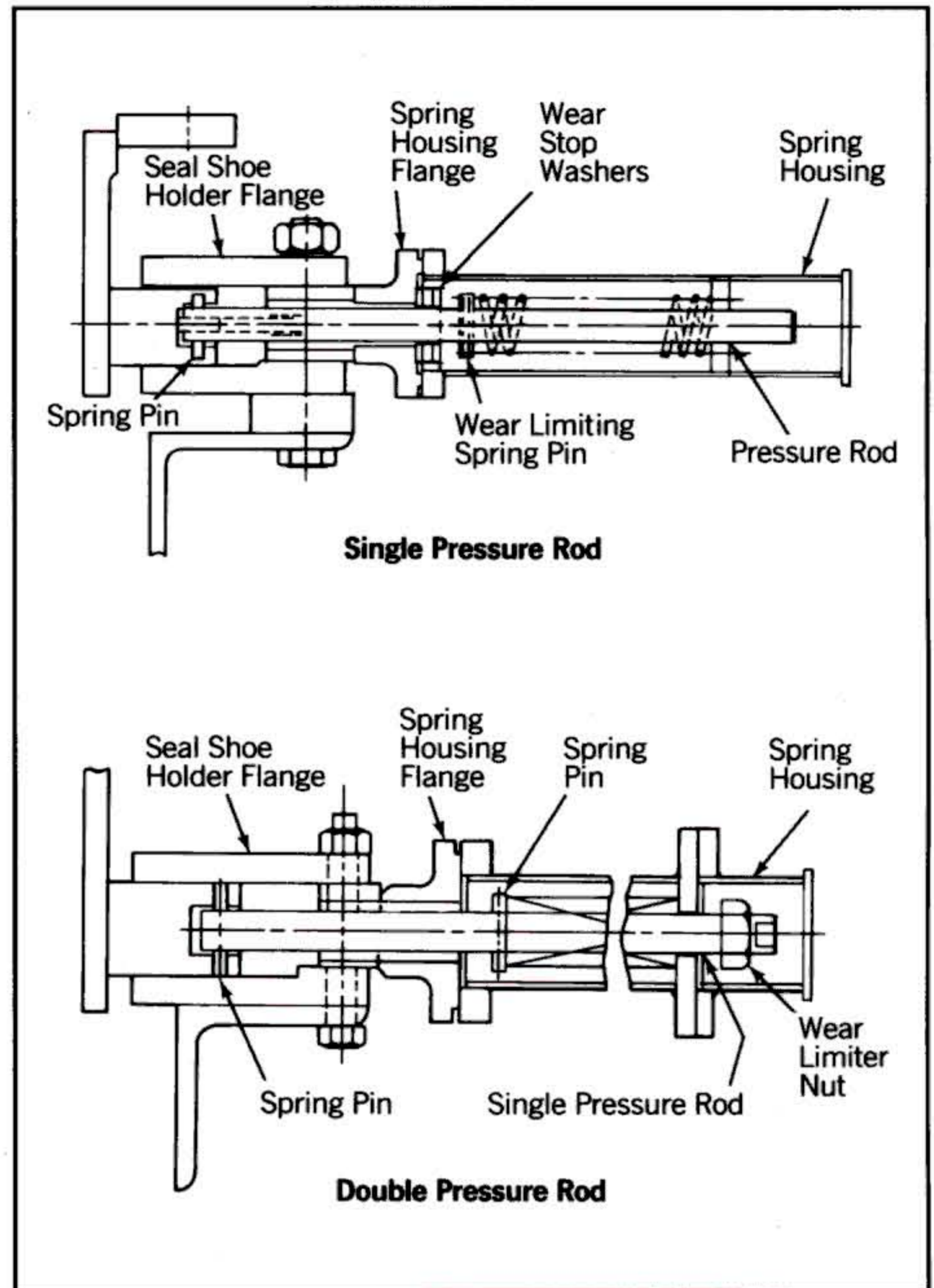
The collar seal shoes should be inspected for binding by removing several spring housings and stroking the pressure rods. (Caution: the housing is spring loaded.)

If binding is found, the seal shoe holder flange and spring housings should be removed and all deposits cleaned out. During reassembly, each shoe pressure rod should be stroked to insure free movement. The wear limiters should be set to allow 1/4" pressure rod travel.

To prevent the wash water from entering the collar seals during water washing, a shield should be installed as shown in Figure 1.

Support

If any problems are encountered, contact Babcock & Wilcox Field Service Engineering for further information or assistance.



Collar seal arrangement.

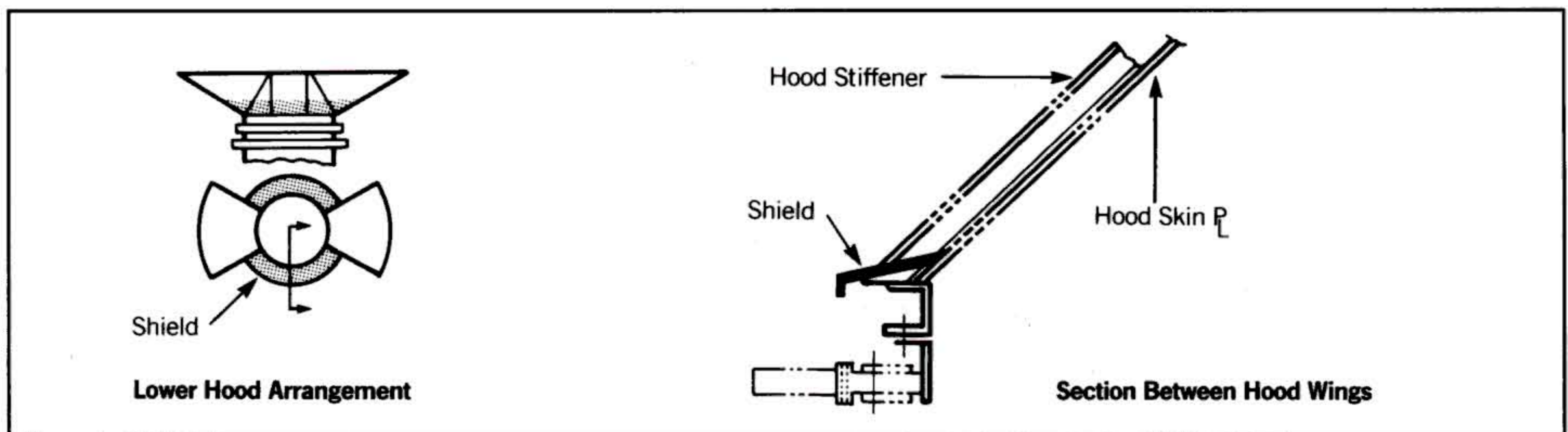


Figure 1 Shield installation prevents fly-ash sludge from entering the collar seals during water washing.

For more information in the U.S.A., call 1-800-BABCOCK (222-2625). Outside the U.S.A., call (216) 753-4511 or fax (216) 860-1886 (Barberton, Ohio, U.S.A.). Or contact your nearest B&W sales or service office worldwide.

| | | |
|-------------------------------------|--|--|
| Akron (Wadsworth), Ohio | Dallas, Texas | Montreal, Quebec, Canada |
| Ankara, Turkey | Denver (Lakewood), Colorado | Moscow, Russia |
| Atlanta, Georgia | Edmonton, Alberta, Canada | Portland, Oregon (Vancouver, WA) |
| Beijing, P.R.O. China | Fairfield, New Jersey | Prague, Czech Republic |
| Birmingham, Alabama | Halifax (Dartmouth), Nova Scotia, Canada | Pune, India |
| Boston (Westborough), Massachusetts | Houston, Texas | Saint John, New Brunswick, Canada |
| Cairo, Egypt | Jakarta, Indonesia | St. Petersburg, Florida |
| Cambridge, Ontario, Canada | Kansas City, Missouri | San Francisco (Vacaville), California |
| Charlotte, North Carolina | London, England | Vancouver, (Richmond) British Columbia, Canada |
| Cherry Hill, New Jersey | Los Angeles (Los Alamitos), California | Warsaw, Poland |
| Chicago, Illinois | Melville, Saskatchewan, Canada | |
| Cincinnati, Ohio | Mexico City, Mexico | |

*The information contained herein is provided for general information purposes only, and is not intended or to be construed as a warranty, an offer, or any representation of contractual or other legal responsibility. **Note: Deutsche Babcock AG and Babcock Energy Limited (U.K.), formerly licensees, are no longer affiliated with The Babcock & Wilcox Company.***