

# Diamond Power® FlexRod® Port Rodder for Automated Port Cleaning

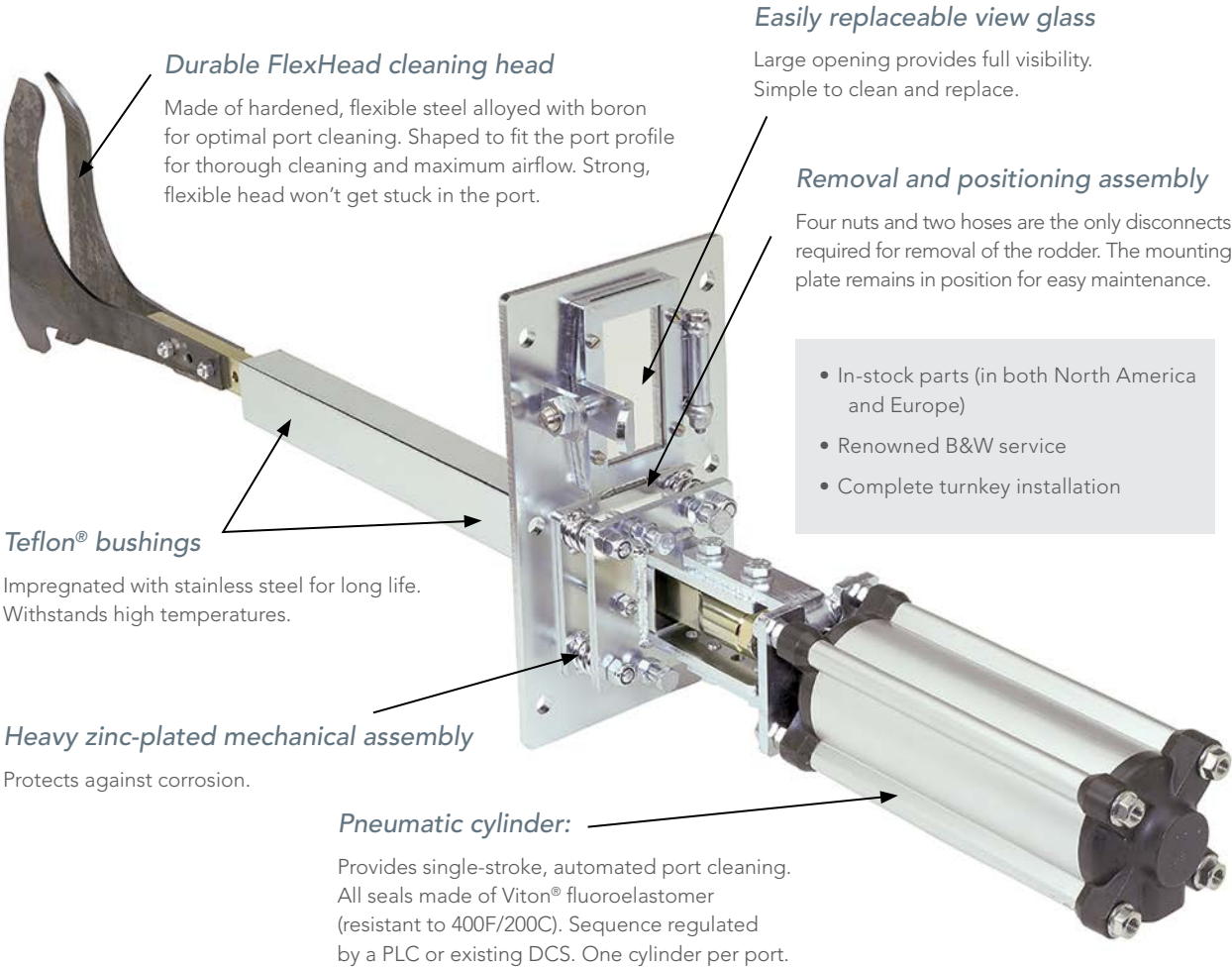
*Simple. Reliable. Robust.*

The Diamond Power® FlexRod® port rodder, provided by Babcock & Wilcox (B&W), cleans the entire port in a single stroke. With no exposed moving parts to endanger mill personnel, this port rodder is safe and easy to use. Plus, it's low-maintenance and suitable for all manufacturer's recovery boilers.

Simple to install, the FlexRod port rodder is even simpler to maintain. Just four nuts and a matter of minutes is all it takes for installation and removal.

One-stroke cleaning eliminates high-wear ratcheting and camming for consistent, thoroughly clean ports, less process variability, and more stable boiler operation. The FlexRod port rodder is reliable and dependable does not require limit switches.

It's a robust performer, too. The unique FlexHead cleaning head is made of steel alloy with boron for high-temperature, wear-resistant performance. And, at less than 30 lb (13.5 kg), the FlexRod port rodder is the most compact, lightweight design available.



(Continued on reverse side)



A complete installation of FlexRod port rodders replaces difficult, hot and dangerous manual port cleaning and is ideal for both primary and secondary air levels.

#### *Air pipes*

- 1 in. (25 mm) stainless steel

#### *Air requirements*

- 90 psi (621 kPa); Uses dry mill air

#### *Cleaning head (FlexHead)*

- Made of high-temperature, wear-resistant material alloyed with boron

#### *Control box*

- Stainless steel, waterproof (NEMA 4X); ISO 3 solenoid valve; push-button for manual activation in groups of 2 to 4 units; control boxes are mounted on supports to be attached to the boiler wall or floor

#### *Cylinder diameter and stroke*

- 3 1/8 in. (80 mm) diameter; 9 7/8 in. (250 mm) standard; Other cylinder strokes available

#### *Electrical requirements*

- 110 volts, 60 hertz solenoid valve coil

#### *Mounting arrangements*

- Wallbox or plate mounting

#### *Port profile*

- Adaptable to any port size or shape

#### *Weight*

- Less than 30 lb (13.5 kg)

### **Babcock & Wilcox**

20 South Van Buren Avenue  
Barberton, Ohio, U.S.A. 44203  
Phone: +1 330.753.4511

[www.babcock.com](http://www.babcock.com)     

The information contained herein is provided for general information purposes only and is not intended nor to be construed as a warranty, an offer, or any representation of contractual or other legal responsibility.

*Diamond Power* and *FlexRod* are trademarks of The Babcock & Wilcox Company.

*Teflon* and *Viton* are trademarks of The Chemours Company.

Babcock & Wilcox supplies Diamond Power boiler cleaning and Allen-Sherman-Hoff ash handling equipment and systems.

© 2016 The Babcock & Wilcox Company. All rights reserved.



ENERGY | ENVIRONMENTAL

Established in 1867, Babcock & Wilcox is a global leader in advanced energy and environmental technologies and services for the power, renewable and industrial markets, with operations, subsidiaries and joint ventures worldwide.

For more information or to contact us, visit our website at [www.babcock.com](http://www.babcock.com).