

Oil Horn Igniter for Corner-Fired Boiler Applications

Babcock & Wilcox (B&W) is the exclusive source in the United States of Fossil Power Systems (FPS®) oil horn igniter equipment for corner-fired boilers.

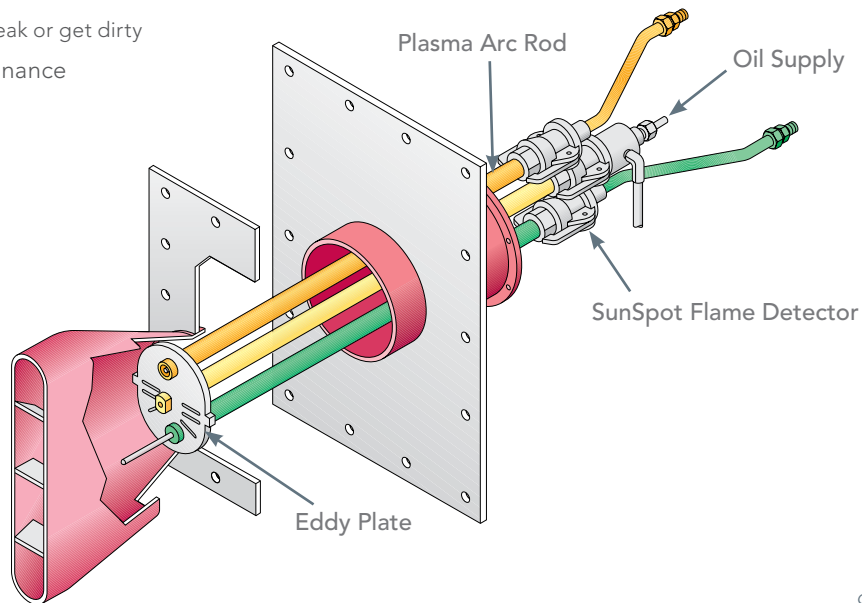
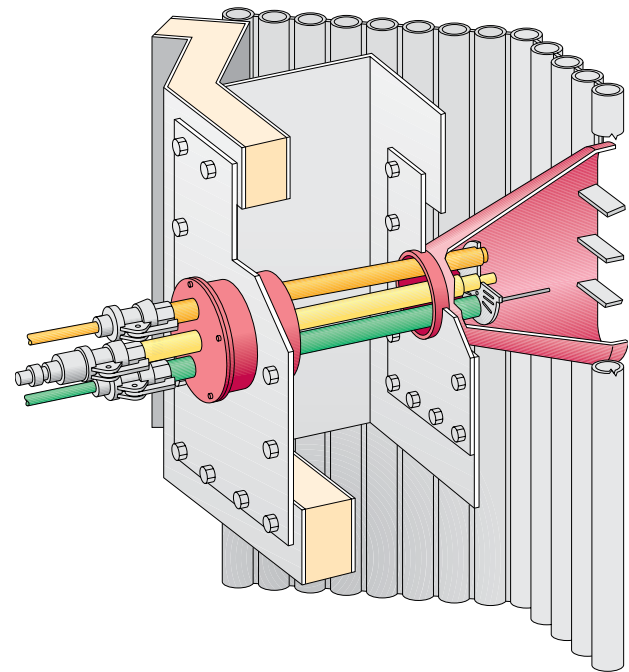


The integrated electrical-mechanical components of the FPS oil horn igniter are designed to optimize performance in these key areas:

- Ignition reliability
- Fuel atomization
- Combustion
- Flame stability
- Flame monitoring

Features

- 6 MBtu per hour heat input (an optional booster is available to increase the input to 20 MBtu per hour)
- Simple plug-in design
- Existing air supply is typically sufficient
- Plasma arc ignition for reliable light-off
- SunSpot flame detector with:
 - Discrete flame detection
 - No periodic maintenance requirement
 - No field calibration
 - No delicate optics to break or get dirty
- Easy removal for maintenance



continued ►

Igniter Peripherals

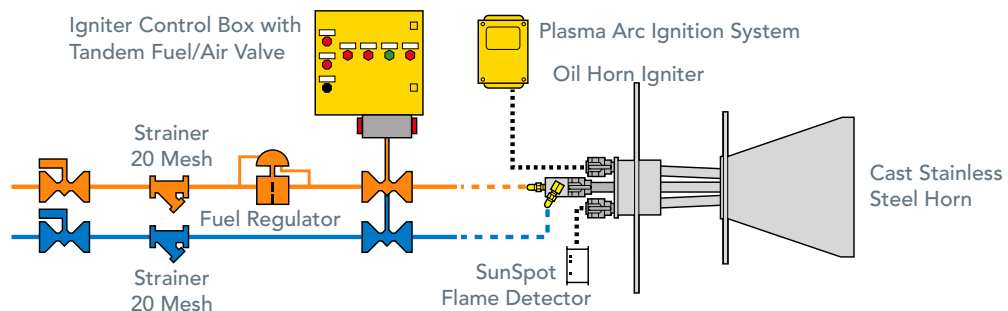
Each FPS oil horn igniter is supplied with the following environmentally sealed peripheral components:

- PAI power pack in NEMA 4 enclosure
- SunSpot flame detector electronic module
- Oil hose with quick disconnect coupler
- Atomizing air hose with quick disconnect coupler
- (2) brass-braided flex conduit assemblies for igniter electrical connections (flame detector and spark)
- Igniter mounting plate with gasket

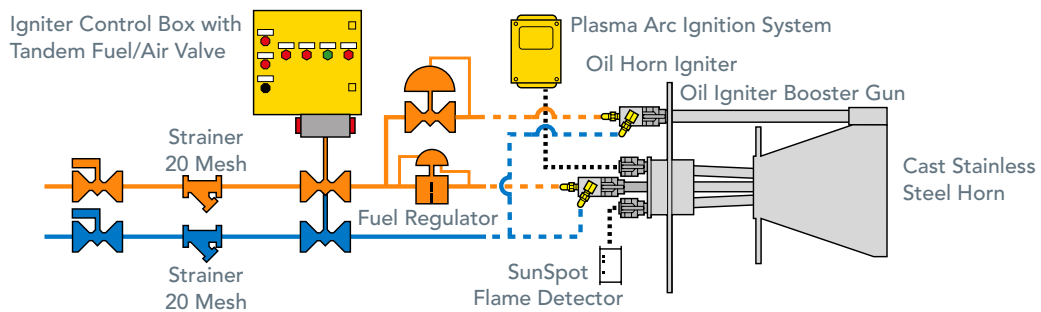
Options

Oil flow regulator — An oil flow regulator is also available which is designed to regulate the oil supply to the optimal level required to achieve efficient fuel atomization and burning. Existing flow regulators can be retained and used with new FPS horn igniters.

Booster package — a booster package is available for the FPS oil horn igniter, providing an additional 14 million Btu/hour heat input, to bring the total heat input to 20 million Btu per igniter.



Typical Oil Fuel Schematic – Up to 6 MBtu Input



Typical Oil Fuel Schematic with Booster Gun Option – Up to 20 MBtu Input

Babcock & Wilcox

20 South Van Buren Avenue
Barberton, Ohio, U.S.A. 44203
Phone: +1 330.753.4511

www.babcock.com     

The information contained herein is provided for general information purposes only and is not intended nor to be construed as a warranty, an offer, or any representation of contractual or other legal responsibility.

FPS is a trademark of Fossil Power Systems, Inc.



ENERGY | ENVIRONMENTAL

Established in 1867, Babcock & Wilcox is a global leader in advanced energy and environmental technologies and services for the power, industrial and renewable markets.

For more information or to contact us, visit our website at www.babcock.com.