

# Diamond Power® CH-112 Camera Housing

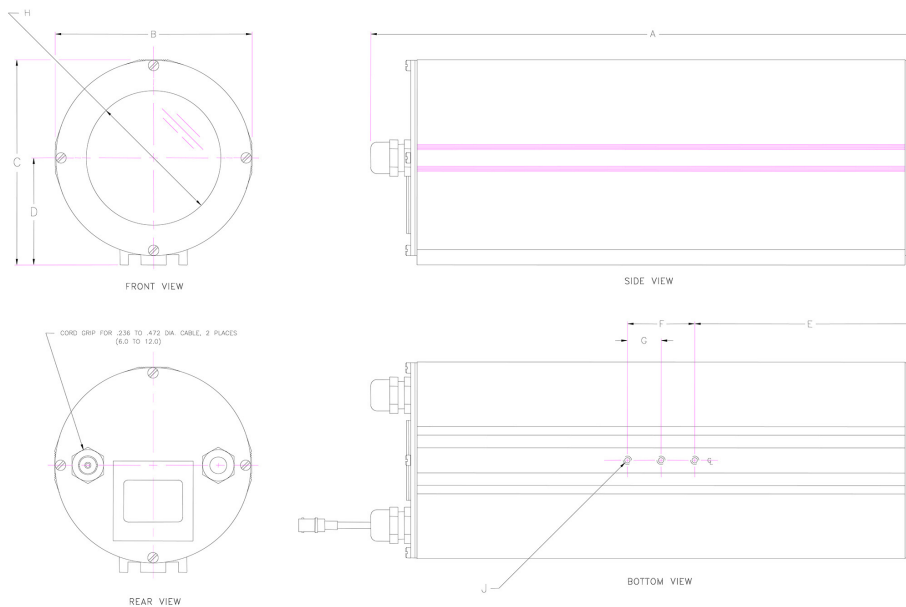
## Environmental Enclosure for Solid-State Cameras

The Diamond Power® CH-112 camera housing from Babcock & Wilcox (B&W) protects 1/2 in.- and 2/3 in.-format solid-state CCTV cameras from adverse weather conditions. Ideal for outdoor surveillance applications, the CH-112 camera housing is engineered for easy servicing and durability.

- Standard (fixed or zoom lens) or custom lengths
- Removable rear plate with mounting sled for easy camera/lens adjustment
- Cable entry through two adjustable cable glands on rear plate
- Mounts to all standard fixed and remote-controlled pan/tilt devices



B&W's Diamond Power CH-112 camera housing features rugged, lightweight aluminum extrusion construction.



### Options

- Sunshield, fixed or zoom
- Heater
- Blower
- 120 VAC camera power outlet
- 24 VAC camera power
- 12 VDC camera power
- Demon III Cooler
- Purged Air Inlet
- Air Curtain

### Specifications

	A <sup>1,2</sup>	B <sup>3</sup>	C <sup>4</sup>	D	E	F	G	H	J
Fixed:	16.19 in. (41.12 cm)	5.85 in. (14.86 cm)	6.11 in. (15.52 cm)	3.19 in. (8.10 cm)	6.53 in. (16.59 cm)	2.00 in. (5.08 cm)	1.00 in. (2.54 cm)	4.00 in. (10.16 cm)	1/4 -20 x 0.50 deep 1/4 -20 x 1.27 deep
Zoom:	19.69 in. (50.01 cm)	5.85 in. (14.86 cm)	6.22 in. (15.52 cm)	3.19 in. (8.10 cm)	8.28 in. (21.03 cm)	2.00 in. (5.08 cm)	1.00 in. (2.54 cm)	4.00 in. (10.16 cm)	1/4 -20 x 0.50 deep 1/4 -20 x 1.27 deep

1. Add 2.81 in. for Sunshield
2. Custom lengths available upon request
3. Add 1.5 in. for Sunshield
4. Add 0.75 in. for Sunshield

continued ►

## Specifications

	Fixed	Zoom	Add for Heater/Blower
Maximum usable camera lens mounting area	4.95 in. dia. x 10.84 in. L (12.57 cm dia. x 27.64 cm L)	4.95 in. dia. x 14.38 in. L (12.57 cm dia. x 36.53 cm L)	N/A
Weight without camera/lens	5.5 lb (2.5 kg)	7.0 lb (3.2 kg)	1.5 lb (0.7 kg)
Electrical power requirements	115 vac, 50/60 Hz <i>wattage is determined by camera used</i>	115 vac, 50/60 Hz	160 W
Operating temperature range	Same as installed camera, minus 6F (3.3C) <i>without optional cooling source</i>		-40 to 120F (-40 to 49C)

## Durability

Humidity	100% condensing
Sand and dust	100% resistant
Fungus	100% resistant, Mil-E-5400R, paragraph 3.2.24.8
Salt	100% salt/sea mist resistant, Mil-E-5400R, paragraph 3.2.24.9

### Babcock & Wilcox

20 South Van Buren Avenue  
Barberton, Ohio, U.S.A. 44203  
Phone: +1 330.753.4511

[www.babcock.com](http://www.babcock.com)     

The information contained herein is provided for general information purposes only and is not intended nor to be construed as a warranty, an offer, or any representation of contractual or other legal responsibility.

*Diamond Power* is a trademark of The Babcock & Wilcox Company.



ENERGY | ENVIRONMENTAL

Established in 1867, Babcock & Wilcox is a global leader in advanced energy and environmental technologies and services for the power, industrial and renewable markets, with operations, subsidiaries and joint ventures worldwide.

For more information or to contact us, visit our website at [www.babcock.com](http://www.babcock.com).