

Gas Horn Igniter for Corner-Fired Boiler Applications

Babcock & Wilcox (B&W) is the exclusive source in the United States of Fossil Power Systems (FPS®) gas horn igniter equipment for corner-fired boilers.

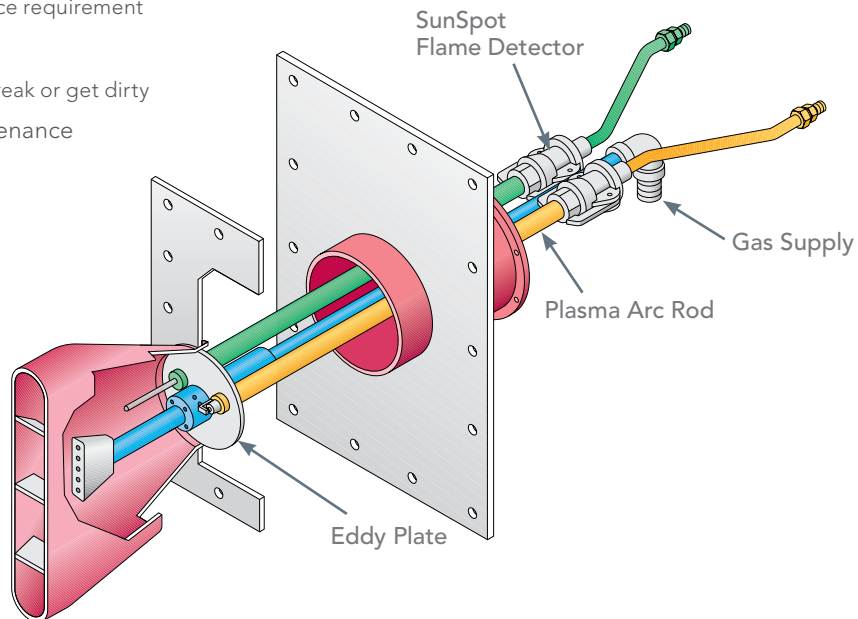
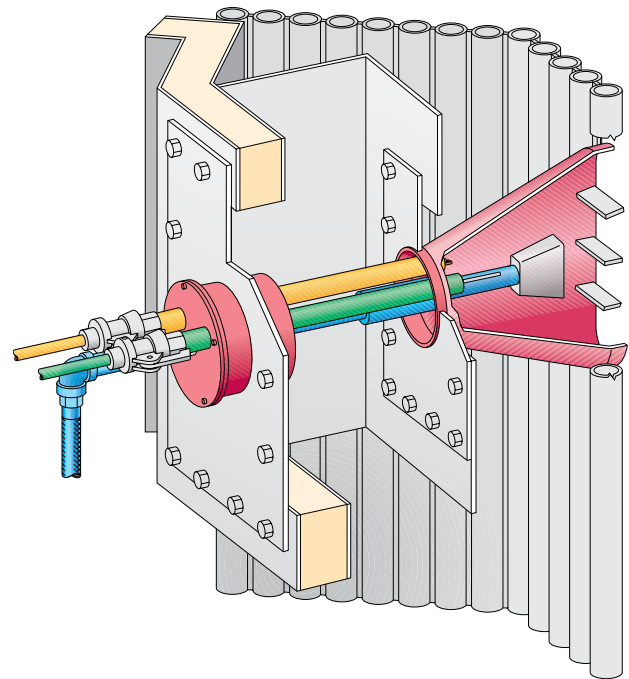


The integrated electrical-mechanical components of the FPS gas horn igniter are designed to optimize performance in these key areas:

- Ignition reliability
- Combustion
- Flame stability
- Flame monitoring

Features

- 20 MBtu per hour heat input
- Simple plug-in design
- Existing air supply is typically sufficient
- Three-stage ignition for a stable, self-sustaining flame
- Plasma arc ignition for reliable light-off
- SunSpot flame detector with:
 - Discrete flame detection
 - No periodic maintenance requirement
 - No field calibration
 - No delicate optics to break or get dirty
- Easy removal for maintenance



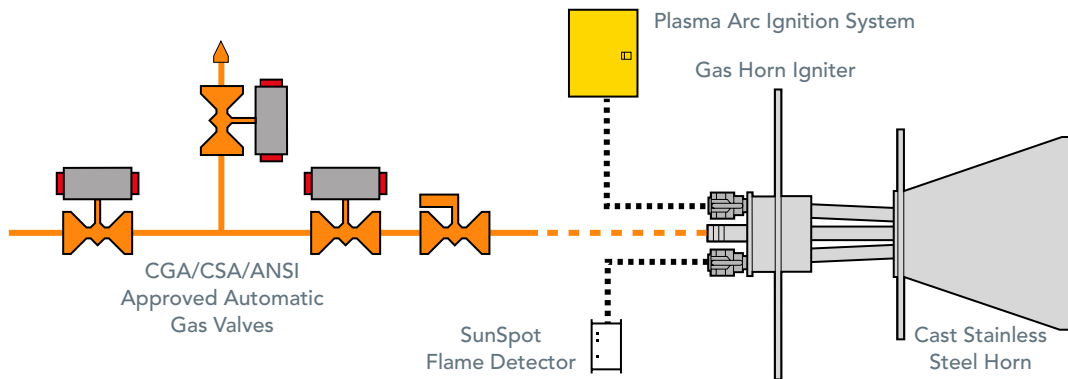
continued ►

Igniter Peripherals

Each FPS gas horn igniter is supplied with the following environmentally sealed peripheral components:

- PAI power pack in NEMA 4 enclosure
- SunSpot flame detector electronic module
- Gas hose with swivel connector

- (2) brass-braided flex conduit assemblies for igniter electrical connections (flame detector and spark)
- Plasma arc ignition
 - Input: 120vac, 50/60hz, 100 VA
 - Output: 8 joule at 3 arc/sec
- Igniter mounting plate with gasket



Typical Natural Gas Fuel Schematic

Babcock & Wilcox

20 South Van Buren Avenue
Barberton, Ohio, U.S.A. 44203
Phone: +1 330.753.4511

www.babcock.com     

The information contained herein is provided for general information purposes only and is not intended nor to be construed as a warranty, an offer, or any representation of contractual or other legal responsibility.

FPS is a trademark of Fossil Power Systems, Inc.



ENERGY | ENVIRONMENTAL

Established in 1867, Babcock & Wilcox is a global leader in advanced energy and environmental technologies and services for the power, industrial and renewable markets.

For more information or to contact us, visit our website at www.babcock.com.