

# B&W Parts, Services and Programs for CE-Type Pulverizers

Babcock & Wilcox (B&W) is now applying its vast experience and knowledge of roll wheel and ball-and-race pulverizers to provide quality replacement parts, services and inventory management programs to Combustion Engineering (CE)-type pulverizers.

Since 1867, B&W has set the standard for proven high availability, reliability and low maintenance on its boilers, pulverizers and other steam generating and auxiliary equipment. Our approach goes well beyond simple in-kind replacement. Engineered pulverizer parts and upgrades are designed to deliver performance and reliability which provide enhanced operation and value to your plant's capital investments, regardless of original equipment manufacturer (OEM).

## *B&W supports pulverizers manufactured by CE and others, including:*

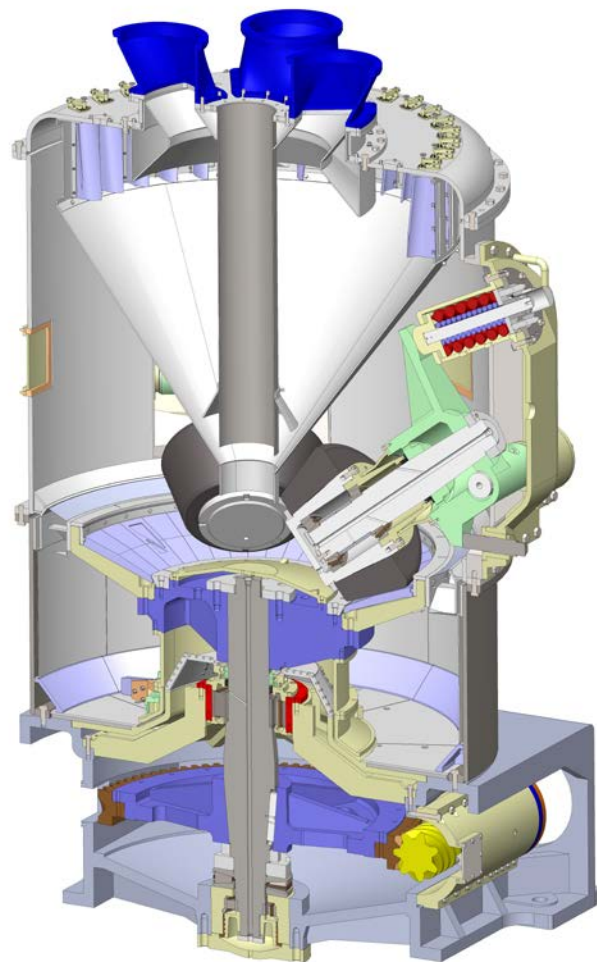
- CE/Raymond deep bowl mills
- CE shallow bowl mills
- ARVOS/Raymond roller mills

## *Mill replacement parts*

- Vane wheel assembly (upgrade from OEM design)
- Upper and lower bowl skirt (upgrade from OEM design)
- Standard and extended life journal bearing assembly (upgrade from OEM design)
- Journal head liner assembly
- Grinding rolls – ribbed, weld overlay, high chrome, Xwin® material technology
- Grinding segments – weld overlay, high chrome, Xwin material technology
- Trunion assembly
- Steel bowl
- Mill liners
- Millside access doors (upgrade from OEM design)
- Gearbox worm gear (upgrade from OEM design)
- Main shaft
- Classifier (multi-piece)

## *Mill services*

- Assured Stock Program® inventory management
- Journal rebuilds
- Technical support services



(Continued on reverse side)

## Strategic alliance with wear parts expert

Through a strategic alliance, B&W provides advanced coal pulverizer replacement parts from Magotteaux, a leading supplier of high wear, severe duty castings and differentiated wear solutions. This supplier relationship combines the unique benefits of Magotteaux's metallurgical expertise and experience in high wear, abrasion-resistant material with B&W's expertise in coal pulverizer and boiler design, operation and optimization.

As a leader in process optimization solutions for high abrasion extracting industries, Magotteaux provides low chrome, high chrome, ceramic, and its own proprietary Xwin material technology. Xwin technology combines the extreme high hardness of ceramic with the mechanical properties of high chromium metal for maximum wear resistance and wear life. Magotteaux's Xwin technology is available for grinding rolls and grinding segments.



## Advantages of the Xwin technology include:

- extended running life
- increased time between maintenance cycles
- longer consistency of grinding profiles
- extended duration of optimal pulverizer capacity and fineness
- reduced power consumption

The results? Lower operating and maintenance costs, delivering up to 50% cost reductions

## Assured Stock Program<sup>®</sup> inventory management

B&W's Assured Stock Program inventory management system is a proven strategy designed to enhance the purchasing and inventory functions of both utility and industrial customers.

The Assured Stock Program inventory management system focuses on planning specific material requirements and minimizing your inventory levels. The customized program reduces the overall cost of obtaining parts and components, while maintaining and improving power generation reliability and availability.

**For more information on how B&W can support your CE-type pulverizers with engineered replacement parts, upgrades and inventory management programs, contact your regional B&W sales or service office, call us at 1-800-354-4400 within the United States, or +1 330-860-1460 outside of the U.S., or send an email to [oemparts@babcock.com](mailto:oemparts@babcock.com).**

### Babcock & Wilcox

20 South Van Buren Avenue  
Barberton, Ohio, U.S.A. 44203  
Phone: +1 330.753.4511  
Fax: +1 330.860.1886

[www.babcock.com](http://www.babcock.com)     

The information contained herein is provided for general information purposes only and is not intended nor to be construed as a warranty, an offer, or any representation of contractual or other legal responsibility.

Assured Stock Program and ASP are trademarks of The Babcock & Wilcox Company.

Xwin is a trademark of Magotteaux International. ARVOS and Raymond are trademarks of Arvos.



ENERGY | ENVIRONMENTAL

Established in 1867, Babcock & Wilcox is a global leader in advanced energy and environmental technologies and services for the power and industrial markets, with operations, subsidiaries and joint ventures worldwide.

For more information, or a complete listing of our sales and service offices, send an e-mail to [info@babcock.com](mailto:info@babcock.com), or access our website at [www.babcock.com](http://www.babcock.com).