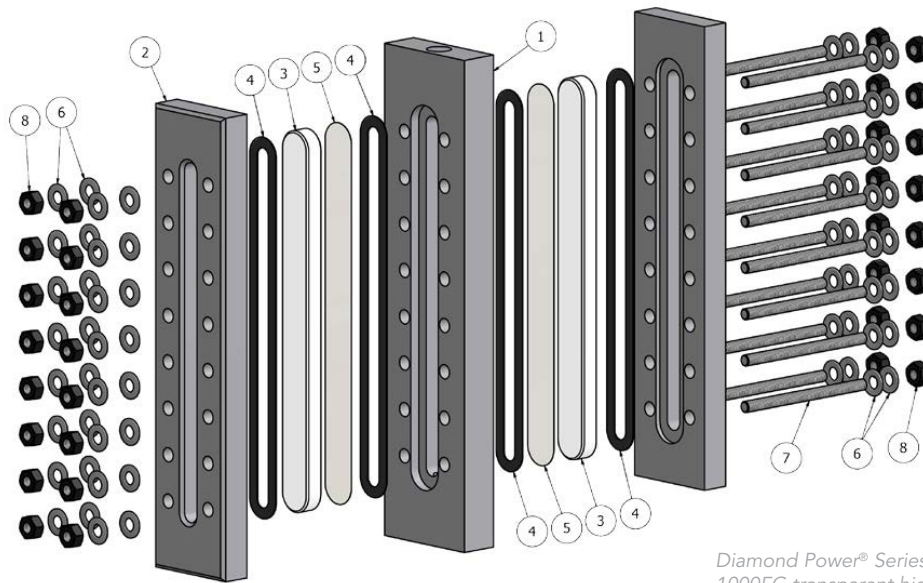


Diamond Power® Series II — 1000FG Transparent Gauge



Diamond Power® Series II
1000FG transparent high
pressure flatglass gauge

The Diamond Power® Series II – 1000FG transparent high pressure gauge from Babcock & Wilcox (B&W) is designed to meet the latest changes in the ASME Boiler and Pressure Vessel Code. This gauge eliminates areas where the liquid level cannot be readily determined due to cross webbing. To meet this standard and still maintain the structural integrity of the gauge, bodies are made thicker and longer to resist deflection.

Benefits

- Wide gauge body design resists deflection reducing the chance of gasket failure
- Precision tempered and ground borosilicate glass provides high strength and clear visibility
- Mica shields protect glass from effects of erosion for an extended service life

Features

- Full length visibility with no obstructions gives definitive readings and conforms to the latest ASME codes for sight glass gauges
- Rated pressure of 1000 psi (7 MPa)
- Belleville spring washers maintain constant gasket loading under thermal and pressure cycles

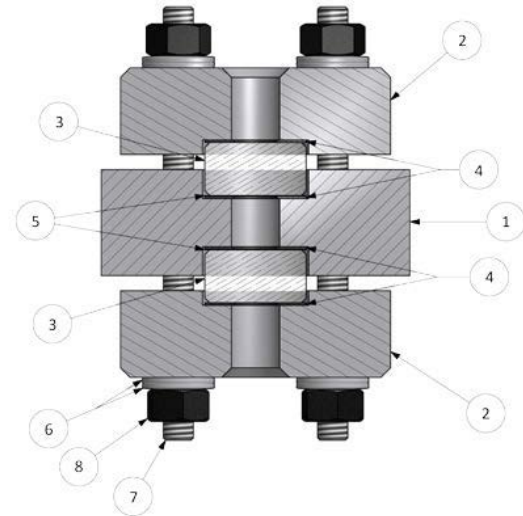
Item	Qty	Part	Material
1	1	Body	SA-516 Carbon Steel
2	2	Cover	SA-516 Carbon Steel
3	2	Glass	Borosilicate
4	4	Gasket	GRAPH-LOCK® with 316SS foil core
5	2	Shield	Mica
6	40-64	Washer	SS Belleville spring
7	10-16	Stud	SA-193 Grade B7
8	20-32	Nut	SA-194 2H steel

(Continued on reverse side)

Dimensions

Gauges are available in sizes 5 (7.875 in. [200 mm]) through 9 (12.625 in. [320 mm]) visible lengths. Multiple gauges can be combined to create visibilities up to 24 in. (610 mm) long. When multiple gauges are used, a 1 in. (25 mm) minimum overlap of the visible sections is required.

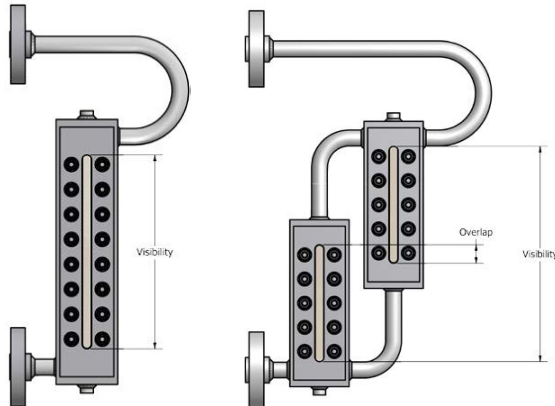
Size	No. of Sections	Visibility	
		(in.)	(mm)
5	1	7-7/8	200
6	1	9-1/8	232
7	1	10-1/4	260
8	1	11-7/8	302
9	1	12-5/8	321
5	2	14-1/2	368
6	2	17	432
7	2	19-1/4	489
8	2	22-1/2	572
9	2	24	610



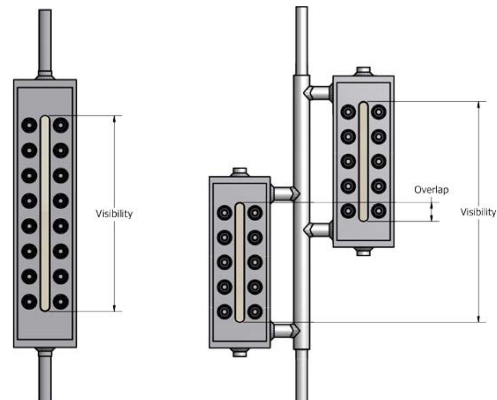
Connections

Standard connections are 0.75 in. (19 mm) pipe nipple or flanged (optional). Custom sizes and configurations are available upon request.

Flange Connection



Pipe Nipple Connection



Babcock & Wilcox

20 South Van Buren Avenue
Barberton, Ohio, U.S.A. 44203
Phone: +1 330.753.4511

www.babcock.com     

The information contained herein is provided for general information purposes only and is not intended nor to be construed as a warranty, an offer, or any representation of contractual or other legal responsibility.

Diamond Power is a trademark of The Babcock & Wilcox Company.
GRAPH-LOCK is a trademark of Garlock Sealing Technologies LLC.



ENERGY | ENVIRONMENTAL

Established in 1867, Babcock & Wilcox is a global leader in advanced energy and environmental technologies and services for the power, industrial and renewable markets, with operations, subsidiaries and joint ventures worldwide.

For more information or to contact us, visit our website at www.babcock.com.