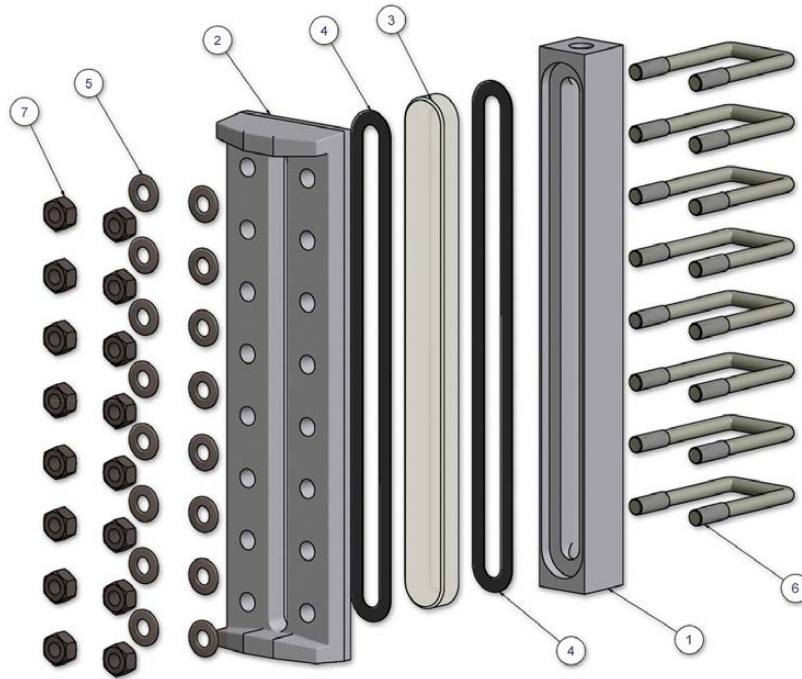


Diamond Power® Series II — Reflex Gauge



The Diamond Power® Series II – reflex gauge from Babcock & Wilcox (B&W) provides excellent visibility of liquid level. Light refracting grooves in the glass cause liquid to appear black and gas to appear white. The high contrast between liquid and gas allows gauges to be stacked on top of one another without concern for blind spots between gauges.

Features

- Constructed to the ASME Boiler and Pressure Vessel code requirements for design, materials, and construction
- Rated pressure of 650 psi (4.5 MPa); 350 psi (2.4 MPa) for steam.
- Gauge body machined from a single piece of SA-105 steel
- Assembled with alloy steel nuts and bolts capable of withstanding high temperatures

Benefits

- Recessed gasket surfaces in both cover and body facilitate glass and gasket alignment and also help prevent gasket blowout
- Precision tempered and ground borosilicate glass provides high strength and clear visibility
- Optional Belleville spring washers maintain constant gasket loading under thermal and pressure cycles

Item	Qty	Part	Material
1	1	Body	SA-105 Carbon Steel or SA-479 Stainless Steel (optional)
2	1	Cover	SA-216 WCB
3	1	Glass	Borosilicate
4	2	Gasket	GRAPH-LOCK® with 316SS foil core
5	10-16	Washer	*SS Belleville spring
6	5-8	U-Bolt	SA-193 Grade B7
7	10-16	Nut	SA-194 2H Steel

* Optional

Reflex glass cannot use mica shields.

(Continued on reverse side)

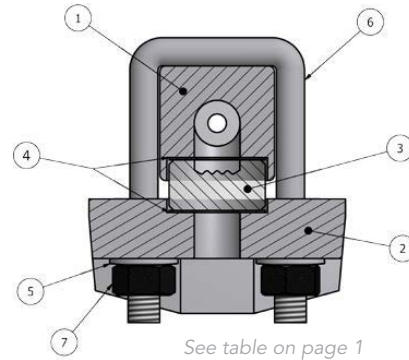
Dimensions

Gauges are available in sizes 5 (7.875 in. [200 mm]) through 9 (12.625 in. [320 mm]) visible lengths. Multiple gauges can be stacked on a continuous body chamber to create visibilities up to 111.5 in. (2832 mm) long.

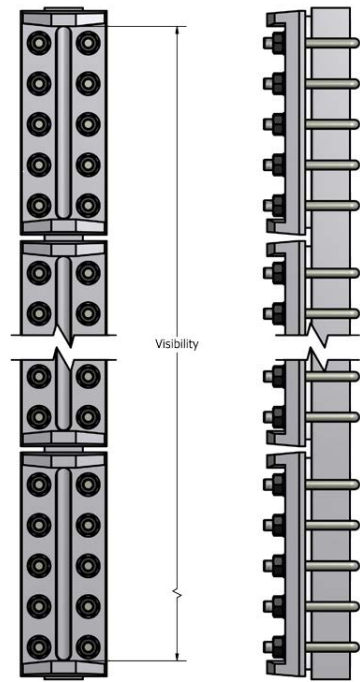
Connections

Available connection types are end, side and back with either 0.5 in. (13 mm) or 0.75 in. (19 mm) pipe nipple or flanged connections.

Size	No. of Sections	Visibility	
		(in.)	(mm)
5	1	7-7/8	200
6	1	9-1/8	232
7	1	10-1/4	260
8	1	11-7/8	302
9	1	12-5/8	321
5	2	17-1/4	438
6	2	19-3/4	502
7	2	22	559
8	2	25-1/4	641
9	2	26-3/4	679
6	3	30-3/8	772
7	3	33-3/4	857
8	3	38-5/8	981
9	3	40-7/8	1038
7	4	45-1/2	1156
8	4	52	1321
9	4	55	1397
7	5	57-1/4	1454
8	5	65-3/8	1661
9	5	69-1/8	1756
8	6	78-3/4	2000
9	6	83-1/4	2115
8	7	92-1/8	2340
9	7	97-3/8	2473
8	8	105-1/2	2680
9	8	111-1/2	2832



See table on page 1



Babcock & Wilcox

20 South Van Buren Avenue
Barberton, Ohio, U.S.A. 44203
Phone: +1 330.753.4511

www.babcock.com     

The information contained herein is provided for general information purposes only and is not intended nor to be construed as a warranty, an offer, or any representation of contractual or other legal responsibility.

Diamond Power is a trademark of The Babcock & Wilcox Company.
GRAPH-LOCK is a trademark of Garlock Sealing Technologies LLC.



ENERGY | ENVIRONMENTAL

Established in 1867, Babcock & Wilcox is a global leader in advanced energy and environmental technologies and services for the power, industrial and renewable markets, with operations, subsidiaries and joint ventures worldwide.

For more information or to contact us, visit our website at www.babcock.com.