

The DRB-XCL[®] Burner: Key Component for Low NO_x Emissions Compliance

Since 1971, B&W has successfully installed more than 82,000 MW of low NO_x combustion systems in both new and retrofit boiler applications. B&W's DRB-XCL[®] low NO_x burner technology has been successfully applied to a broad range of units with varying fuel characteristics and boiler arrangements.

The DRB-XCL has proven to be the workhorse burner in achieving past low NO_x emissions requirements. In today's more stringent environment, this burner remains an integral part of achieving optimized NO_x reduction solutions.

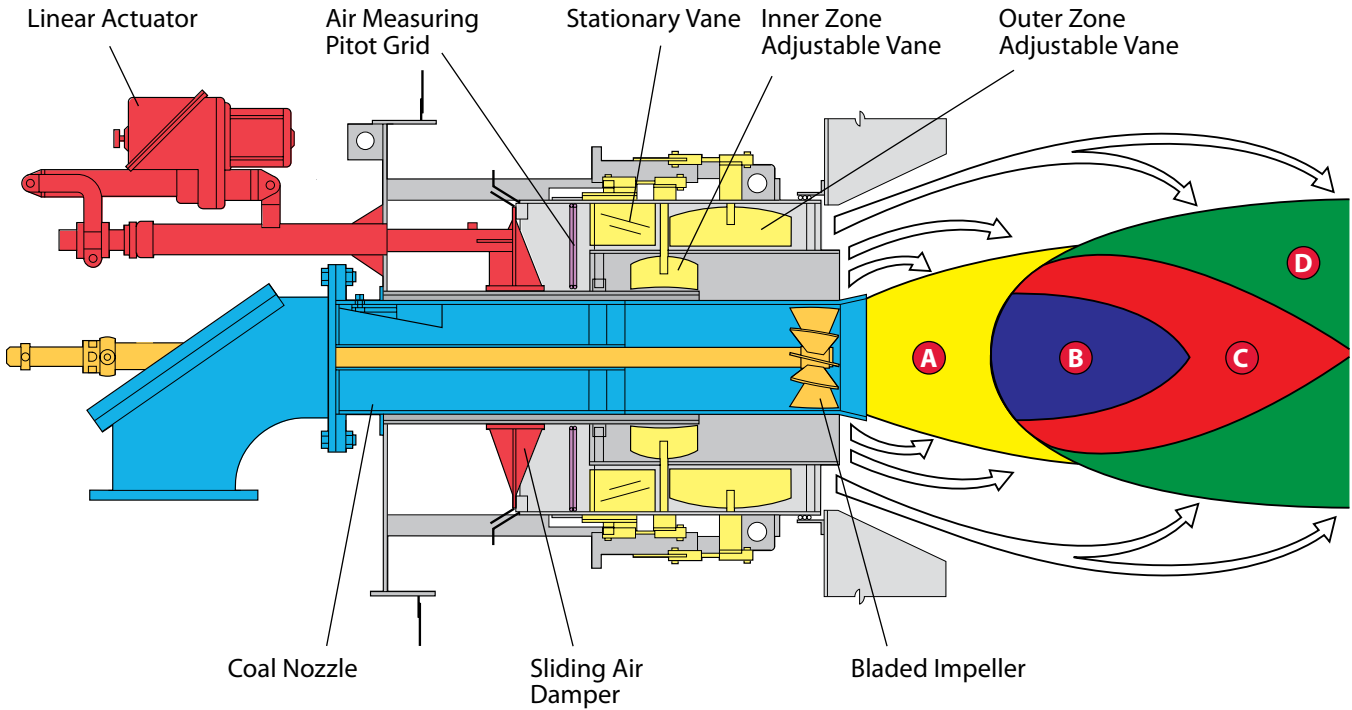
B&W's DRB-XCL low NO_x burner offers you:

- Proven performance
- Superior mechanical reliability and operation
- Rugged construction, integrated design
- Complete shop assembly — ready for installation
- New or retrofit applications
- Plug-in design



babcock & wilcox power generation group

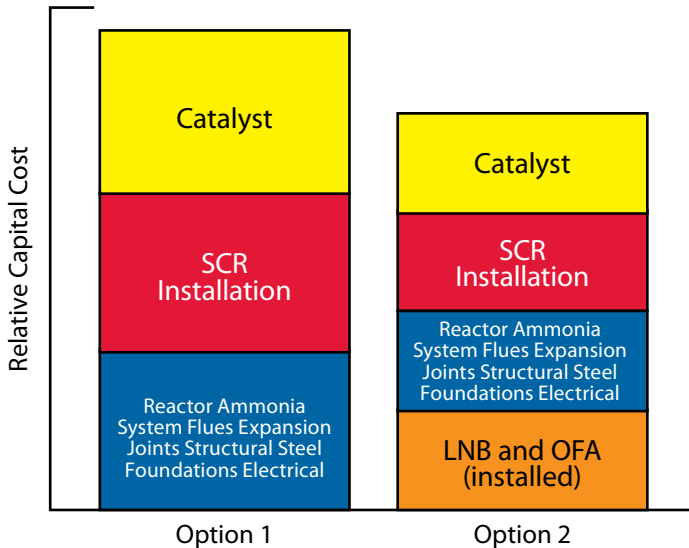
DRB-XCL® Burner for Pulverized Coal-Fired Applications



- A** High temperature — fuel rich devolatilization zone
- B** Production of reducing species zone
- C** NO_x decomposition zone
- D** Char oxidizing zone

The DRB-XCL burner uses internal staging to promote rapid devolatilization in a sub-stoichiometric environment to reduce NO_x formation. As fuel particles move through the four reaction zones, both NO_x reduction and combustion performance are optimized.

B&W has all the building blocks for your complete integrated low NO_x compliance solution



Combinations of low NO_x burners (LNB), overfire air ports (OFA) and selective catalytic reduction (SCR) equipment provide a very flexible system of NO_x control alternatives. As the graph shows, optimizing the entire combustion system will dramatically reduce the size and capital cost of the SCR system. SCR operating costs are also significantly reduced via this total design approach.

The Value of Proven Experience

The DRB-XCL internally staged, low NO_x burner offers significant NO_x reduction capabilities across the full range of wall-fired boiler configurations and combustion firing patterns.

B&W's leadership in the field of low NO_x reduction technology began in 1962 with the first patented overfire air port system design. That leadership continues with unparalleled experience, proven equipment and innovative technology. Our complete low NO_x systems are designed to be cost effective, dependable and adaptable to the full range of fuels and boiler arrangements in new or retrofit applications. B&W has the experience and technology to meet the most stringent NO_x reduction requirements.

