

Rothemuhle Air Heater Core Door

Purpose

This bulletin advises owners and operators that the core access door must be closed and secured properly.

Problem

There have been cases where an improperly secured core door has come loose during operation, causing damage to the stator and sealing system.

A second problem can occur when the heater is operated without the core door installed. The high air flow past the shaft can aspirate oil from the bearing housings, increasing the risk of an air heater fire.

Recommendations

The nut on the access door must be secured.

A cotter pin must be installed in the castle nut and spread apart to prevent the castle nut from coming loose (Figure 1). On older contracts, the door was designed to be removed from the core. On newer contracts, the door was designed to swing down inside the air heater core. (This Plant Service Bulletin applies to both core access designs.) If desired, the older design can be replaced by the new design to reduce the potential for damage due to an improperly secured door.

Support

If any problems are encountered, contact Babcock & Wilcox Field Service Engineering for further information or assistance.

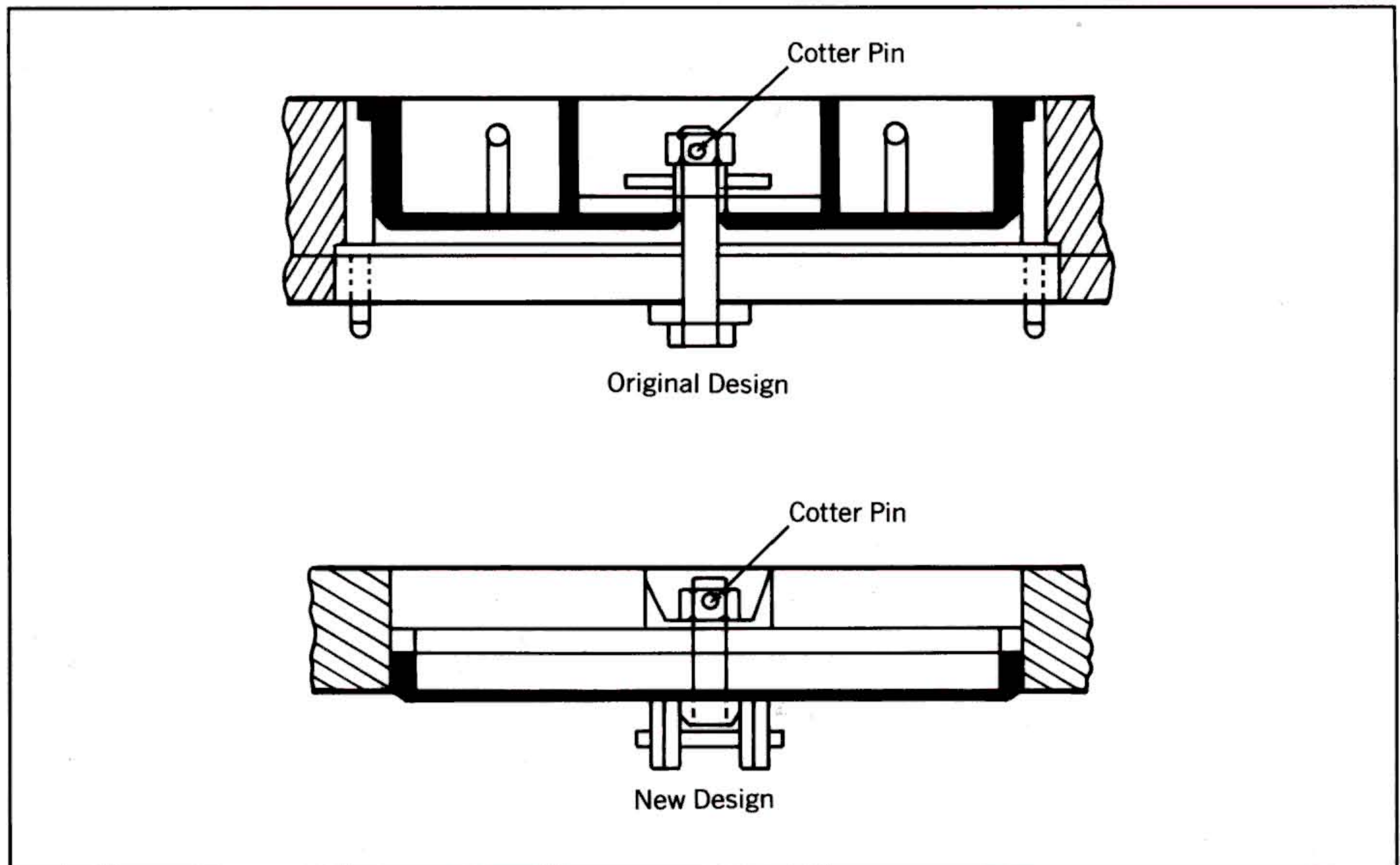


Figure 1 Cotter pin installation on both the original and new core door designs.

For more information in the U.S.A., call 1-800-BABCOCK (222-2625). Outside the U.S.A., call (216) 753-4511 or fax (216) 860-1886 (Barberton, Ohio, U.S.A.). Or contact your nearest B&W sales or service office worldwide.

| | | |
|-------------------------------------|--|--|
| Akron (Wadsworth), Ohio | Dallas, Texas | Montreal, Quebec, Canada |
| Ankara, Turkey | Denver (Lakewood), Colorado | Moscow, Russia |
| Atlanta, Georgia | Edmonton, Alberta, Canada | Portland, Oregon (Vancouver, WA) |
| Beijing, P.R.O. China | Fairfield, New Jersey | Prague, Czech Republic |
| Birmingham, Alabama | Halifax (Dartmouth), Nova Scotia, Canada | Pune, India |
| Boston (Westborough), Massachusetts | Houston, Texas | Saint John, New Brunswick, Canada |
| Cairo, Egypt | Jakarta, Indonesia | St. Petersburg, Florida |
| Cambridge, Ontario, Canada | Kansas City, Missouri | San Francisco (Vacaville), California |
| Charlotte, North Carolina | London, England | Vancouver, (Richmond) British Columbia, Canada |
| Cherry Hill, New Jersey | Los Angeles (Los Alamitos), California | Warsaw, Poland |
| Chicago, Illinois | Melville, Saskatchewan, Canada | |
| Cincinnati, Ohio | Mexico City, Mexico | |

*The information contained herein is provided for general information purposes only, and is not intended or to be construed as a warranty, an offer, or any representation of contractual or other legal responsibility. **Note: Deutsche Babcock AG and Babcock Energy Limited (U.K.), formerly licensees, are no longer affiliated with The Babcock & Wilcox Company.***