

A-S-H® Hydrobin® Dewatering Bin Gate

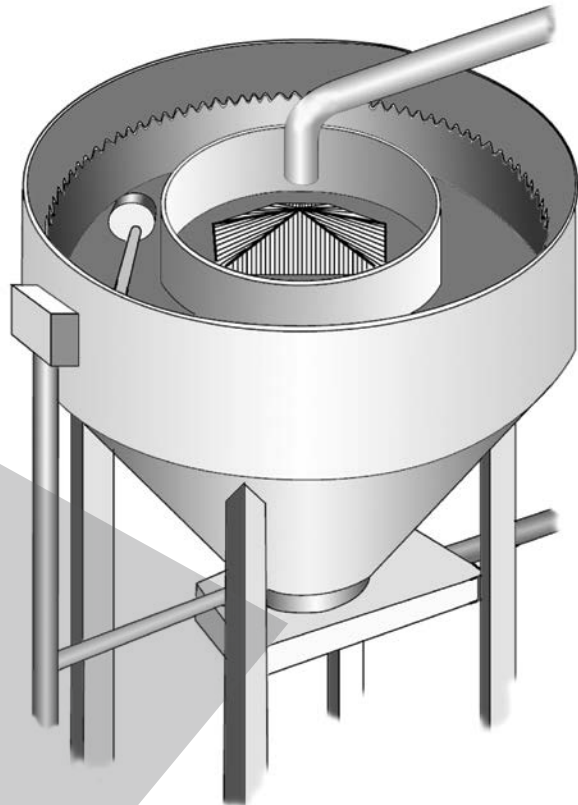
The Allen-Sherman-Hoff® dewatering bin gate, provided by Babcock & Wilcox (B&W), efficiently regulates the discharge of material from the Hydrobin® dewatering bin once the dewatering cycle is completed. The 3 ft (0.9 m) diameter bottom opening provides a fast positive discharge. Gate positioning is accomplished by means of a hydraulic cylinder actuator and four-way valve, which may be manually or automatically operated. The gate is designed with easy access for inspection of all components and routine maintenance. The A-S-H Hydrobin gate can be fitted to other manufacturer's dewatering bins.

Discharge from the Hydrobin dewatering bin is controlled by a cylinder-operated cast iron gate moving on a series of rollers mounted on eccentric axles. The axles can be adjusted to maintain a close clearance between the gate and the cast iron gate frame. To prevent leakage between the gate and the gate frame, a round inflatable seal is mounted in the lower gate frame. When the gate is in the closed position, the tube is inflated to provide a leak-tight seal.



Features and Benefits

- Round fitted seal tube inflates to prevent leaks
- 3 ft (0.9 m) diameter gate opening maximizes bin discharge rate
- Rollers mounted on eccentric axles allow for proper gate gap



The Allen-Sherman-Hoff® Hydrobin® dewatering bin gate is robustly constructed, including a state-of-the-art inflatable seal tube to provide a positive seal between the gate and frame.

(Continued on reverse side)



Babcock & Wilcox

20 South Van Buren Avenue
Barberton, Ohio, U.S.A. 44203
Phone: +1 888.ASH.PARTS
Fax: +1 484.875.1600

www.babcock.com     

The information contained herein is provided for general information purposes only and is not intended nor to be construed as a warranty, an offer, or any representation of contractual or other legal responsibility.

Allen-Sherman-Hoff, A-S-H and Hydrobin are trademarks of Diamond Power International, Inc., a subsidiary of The Babcock & Wilcox Company.

Babcock & Wilcox supplies Diamond Power boiler cleaning and Allen-Sherman-Hoff ash handling equipment and systems.

© 2016 The Babcock & Wilcox Company. All rights reserved.



ENERGY | ENVIRONMENTAL

Established in 1867, Babcock & Wilcox is a global leader in advanced energy and environmental technologies and services for the power and industrial markets, with operations, subsidiaries and joint ventures worldwide.

For more information, or a complete listing of our sales and service offices, send an e-mail to info@babcock.com, or access our website at www.babcock.com.