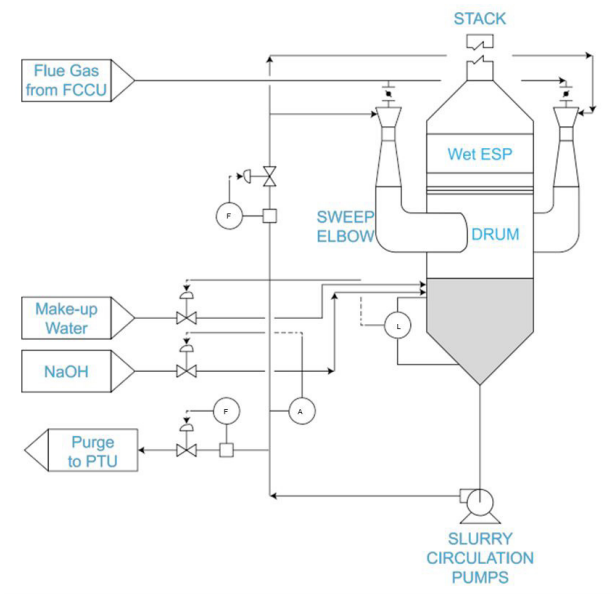


# Wet Gas Scrubber and Wet ESP Installed at FCC Refinery

For refinery installations, the wet electrostatic precipitator (wet ESP, or WESP) and wet scrubber provided by Babcock & Wilcox Environmental (B&W) offer highly efficient control of acid gases, particulate (including submicron particulate) and acid mists.



PROJECT HIGHLIGHTS	
PLANT TYPE	Refinery
LOCATION	California, USA
APPLICATION	Fluidized Catalytic Cracker Unit (FCCU)
GAS VOLUME	146,000 ACFM
PRIMARY CONSTRUCTION MATERIAL	316L Stainless Steel
AWARD DATE	2007
RESULTS	Meets SCQAMD requirements; 60 months' continuous service



**Babcock & Wilcox**  
 1200 E Market Street, Suite 650  
 Akron, Ohio, U.S.A. 44305  
 Phone: +1 330.753.4511

[www.babcock.com](http://www.babcock.com)

The information contained herein is provided for general information purposes only and is not intended nor to be construed as a warranty, an offer, or any representation of contractual or other legal responsibility.

© 2023 The Babcock & Wilcox Company. All rights reserved.



Established in 1867, Babcock & Wilcox is a global leader in renewable, environmental and thermal technologies and services for power and industrial applications.

For more information or to contact us, visit our website at [babcock.com](http://babcock.com).

PCH-634 D23J